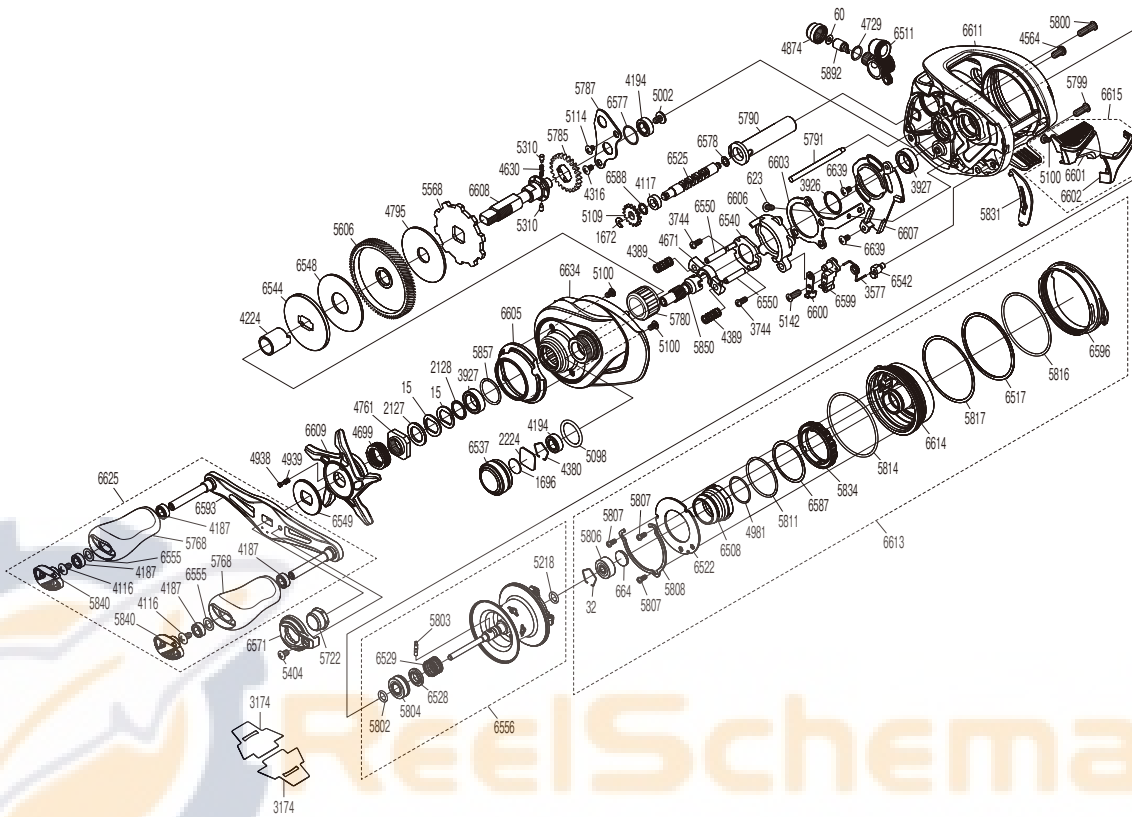


# SHIMANO

## Metanium SA-RB

## ME-151X



The (5804) Bearing, (5803) Spool clutch pin, and (5780) Roller clutch cannot be replaced by the customer.  
To replace these parts, please request after-sales service.

Please note that the number of adjusting washers may not be the same as shown in the exploded views.  
(Adjustment will vary with each individual product.)

(51RL282151X)

Part No.	Description	Part No.	Description	Part No.	Description
BNT0015	Drag Spring Washer	BNT5142	Screw	BNT6537	Cast Control Cap
BNT0032	Bearing Retainer	BNT5218	O Ring	BNT6540	Clutch Cam Retainer
BNT0060	Spacer	BNT5310	Idle Gear Pin	BNT6542	Clutch Spring Holder
BNT0623	Screw	BNT5404	Screw	BNT6544	Pressure Plate
BNT0664	Spacer B	BNT5568	Anti-Reverse Ratchet	BNT6548	Drag Washer
BNT1672	E Lock	BNT5606	Drive Gear	BNT6549	Star Drag Click Plate
BNT1696	Cast Control Spacer	BNT5722	Handle Nut	BNT6550	Clutch Cam Retainer Cover
BNT2127	Star Drag Spacer	BNT5768	Handle Knob	BNT6555	Washer
BNT2128	Bearing Washer	BNT5780	Roller Clutch Bearing	BNT6556	Spool Assembly(With Bearing)
BNT2224	Spool Tension Spacer	BNT5785	Idle Gear	BNT6571	Handle Nut Plate
BNT3577	Clutch Pawl Spring	BNT5787	Drive Shaft Retainer	BNT6577	O Ring
BNT3744	Screw	BNT5790	Level Wind Guard	BNT6578	Washer
BNT3926	Washer	BNT5791	Level Wind Guide	BNT6587	Washer
BNT3927	Ball Bearing	BNT5799	Screw	BNT6588	Washer
BNT4116	Screw	BNT5800	Screw	BNT6593	Handle Shank Assembly
BNT4117	Bushing	BNT5802	O Ring	BNT6596	Right Side Plate Cam Lever
BNT4187	Ball Bearing	BNT5803	Spool Clutch Pin	BNT6599	Clutch Pawl A
BNT4194	Ball Bearing	BNT5804	Ball Bearing	BNT6600	Clutch Pawl B
BNT4224	Roller Clutch Inner Tube	BNT5806	Ball Bearing	BNT6601	Clutch Button
BNT4316	Screw	BNT5807	Screw	BNT6602	Clutch Button Cover
BNT4380	Retainer	BNT5808	Cam Lever Retainer	BNT6603	Clutch Plate
BNT4389	Yoke Spring	BNT5811	O Ring	BNT6605	Clutch Button Attachment
BNT4564	Screw	BNT5814	O Ring	BNT6606	Clutch Cam
BNT4630	Idle Gear Spring	BNT5816	O Ring	BNT6607	Clutch Guard
BNT4671	Yoke	BNT5817	Washer	BNT6608	Drive Shaft
BNT4699	Star Drag Spring	BNT5831	Clutch Bar Guide B	BNT6609	Star Drag
BNT4729	O Ring	BNT5834	Br Dial	BNT6611	Frame Assembly
BNT4761	Star Drag Nut	BNT5840	Handle Knob Seal	BNT6613	Right Side Plate Assembly
BNT4795	Drag Washer	BNT5850	Pinion Gear	BNT6614	Dial Case Assembly
BNT4874	Pawl Cap	BNT5857	O Ring	BNT6615	Clutch Button Assembly
BNT4938	Click Pin	BNT5892	Line Guide Pawl	BNT6625	Handle Assembly
BNT4939	Click Spring	BNT6508	Brake Pipe Gear Assembly	BNT6634	Left Side Plate
BNT4981	O Ring	BNT6511	Line Guide Pawl Holder Assembly	BNT6639	Screw
BNT5002	Screw	BNT6517	Washer		
BNT5098	O Ring	BNT6522	Br Dial Retainer Plate		
BNT5100	Screw	BNT6525	Worm Shaft	BNT3174	Reel Seat Spacer (accessory)
BNT5109	Idle Gear	BNT6528	Bushing		
BNT5114	Screw	BNT6529	Bearing Pressure Spring	BNT4692	B-100 Oil (accessory)